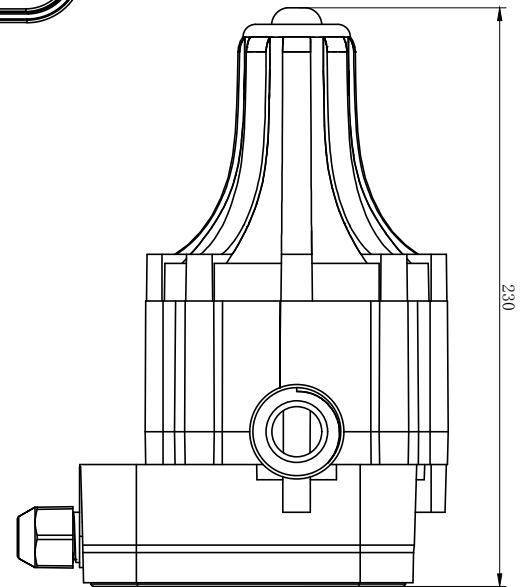
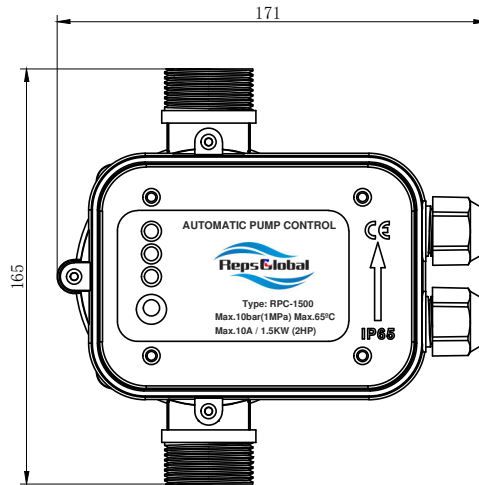


RPC-1500

Automatic water pump controller



Dimensions in mm

Applications

RPC-1500 is an electronic pump controller which is used when is necessary to boost the pressure coming from city water, well pumps or when pulling water out of shallow wells, aerator tanks, reservoir tanks, underground tanks, ponds and lakes to be used for:

- Residential boosting systems
- Irrigation

- Easy installations
- Reduced dimensions
- Pump protection against running dry, with automatic reset
- Built-in check valve
- Can be used with or without pressure tank



Matters need attention :

- 1.Setting pressure is not adjustable.
- 2.Need to install on water pump with power greater than 200W.
- 3.Don't install any faucet between controller and pumps.
- 4.The distance between controller and the highest faucet shouldn't exceed 15

Specification

Model	RPC-1500
Rated voltage	220-240VAC
Maximum working pressure	10bar
Frequency	50-60Hz
Connection	R1"
Maximum current	10A
Protection level	IP65
Maximum power	1.5kW(2HP)
Maximum operating temperature	65°C
Factory setting	1.5bar, stop when water pressure reach 3.5bar